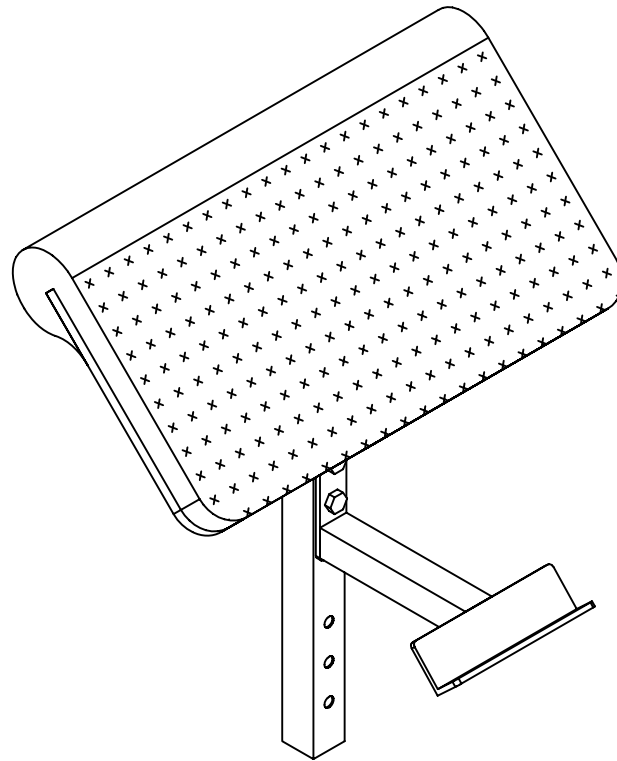


PPCA-11

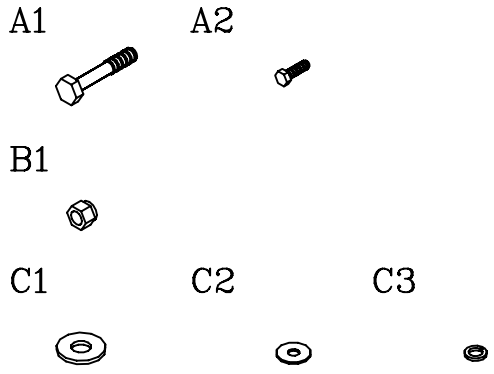


VERSION 0207

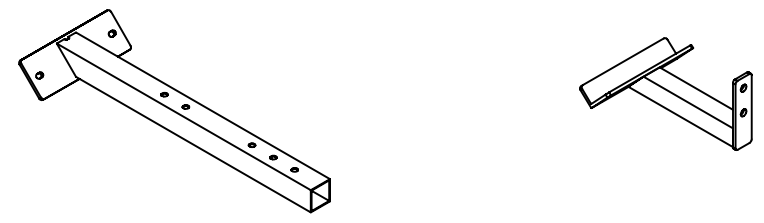
HARDWARE ILLUSTRATION SHEET

PARTS ILLUSTRATION SHEET

	Qty.
A1. M10X70 HEX HEAD BOLT -----	[2PCS]
A2. M8X20 HEX HEAD BOLT -----	[2PCS]
B1. M10 NYLON LOCK NUT -----	[2PCS]
C1. M10 (I.D)WASHER -----	[2PCS]
C2. M8 (I.D) WASHER -----	[2PCS]
C3. M8 SPRING WASHER -----	[2PCS]



A [1PCS] B [1PCS]



C [1PCS]

